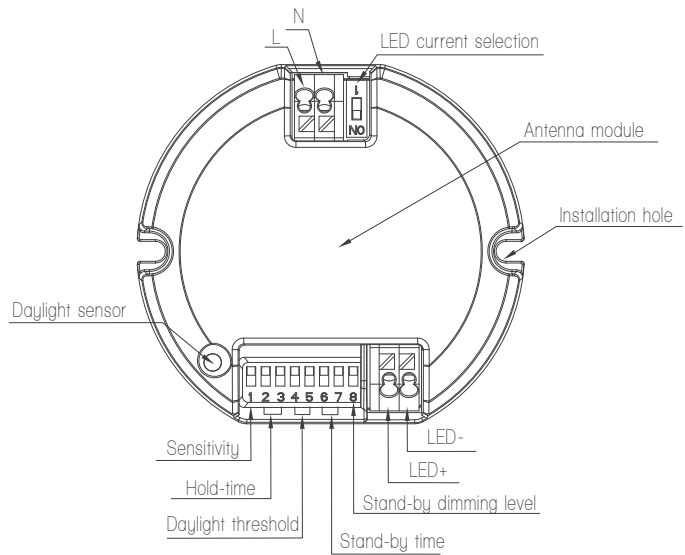
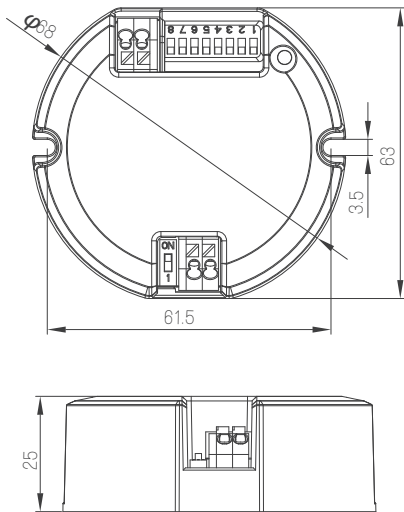


HF Detector & LED Driver 2-in-1 Dimmable Version

Model: UC02 (16W)

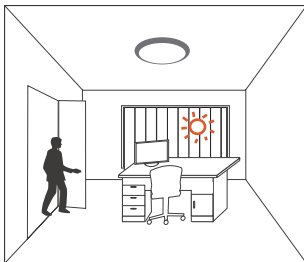


HF detector integrating with LED driver is now the trend. Make your luminaires simple but intelligent now!

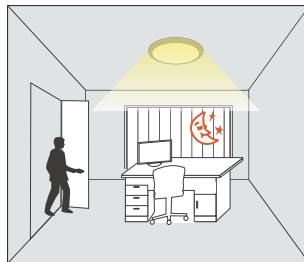
Product Feature

Step-dim function

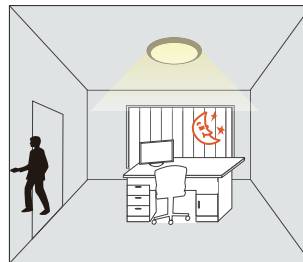
This combo product can turn on the light based on movement. With this detector built in, light is automatically on when needed and dimmed to preset level before it is totally off.



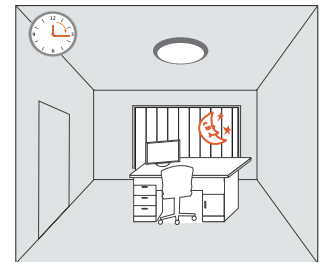
The light keeps off during daytime even when movement is detected. (Ambient lux level is above preset daylight threshold)



With movement and insufficient ambient lux level, the light is triggered on 100% by the detector.

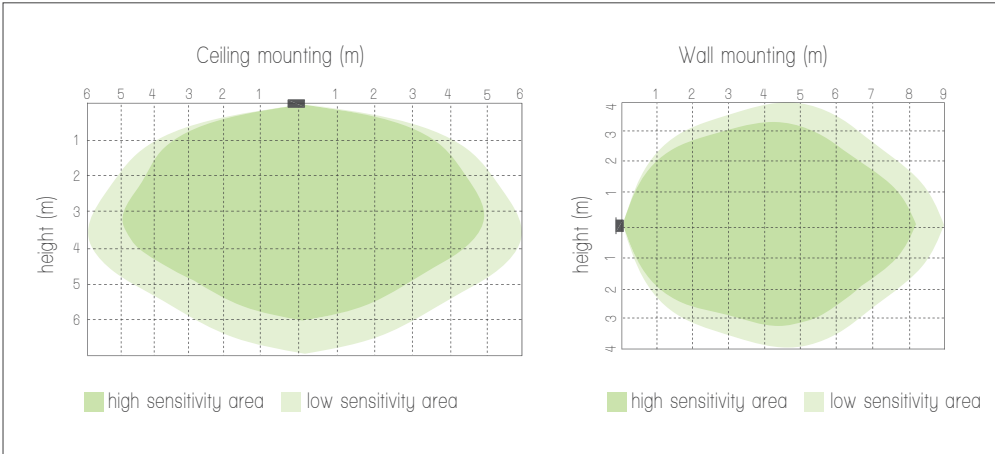


If there is no more movement, the light dims to stand-by dimming level after hold-time.



The light turns off automatically after stand-by time.

Detection pattern



Assembly

Sensor module
 Antena module
 Do not be shielded by metal objects
 Need to install hole

Settings

1. Sensitivity

Sensitivity can be adjusted by selecting the combination on the DIP switches for different applications.

I – 100%
 II – 50%

	1	
I	●	100%
II	○	50%

2. Hold-time

Hold-time refers to the time period that the light remains 100% on if no more movement is detected.

I – 5s
 II – 90s
 III – 3min
 IV – 10min

	2	3	
I	●	●	5s
II	●	○	90s
III	○	●	3min
IV	○	○	10min

3. Daylight threshold

Different daylight threshold can be preset on DIP switches. Light will always turn on upon movement if daylight sensor is disabled.

I – Disable
 II – 50Lux
 III – 10Lux
 IV – 2Lux

	4	5	
I	●	●	Disable
II	●	○	50Lux
III	○	●	10Lux
IV	○	○	2Lux

4. Stand-by time

This is the time period that the light remains at a low level before it is completely turned off.

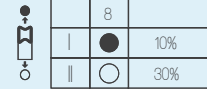
I – 0s
 II – 10s
 III – 10min
 IV – +∞

	6	7	
I	●	●	0s
II	●	○	10s
III	○	●	10min
IV	○	○	+∞

5. Stand-by dimming level

Light can be dimmed to different levels after hold-time.

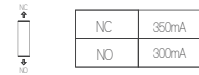
- I - 10%
- II - 30%



6. Output current

Output current selection.

- I - 350mA
- II - 300mA



Specification

Operating voltage	220 ~ 240VAC 50/60Hz
Input current	0.09 - 0.08A
Input power	20W (Max.)
Sensitivity	50% /100%
Hold-time	5s / 90s / 3min / 10min
Daylight threshold	2lux / 10Lux / 50Lux / disable
Stand-by period	0s / 10s / 10min / +∞
Stand-by dimming level	10% / 30%
Microwave frequency	5.8GHz +/- 75MHz
Microwave power	<0.2mW
Output current	300mA / 350mA
Output voltage	26-53V / 26-46V
Output LED power	8-16W / 9-16W
Empty load voltage	300V
Power factor	>0.9
Power efficiency	85% (Max.)
Detection range	Max (diameter x height): 12m x 6m
Detection angle	30° ~ 150°
Operating temperature	-20°C ~ + 50°C TC: 80°C
Abnormal protection	Output short-circuit protection with auto-reset
EMC standard	EN55015
Safety standard	EN61347-1 EN61347-2-13 EN60598-1
IP rating	IP20
Certificate	Semko, CB, CE, RCM