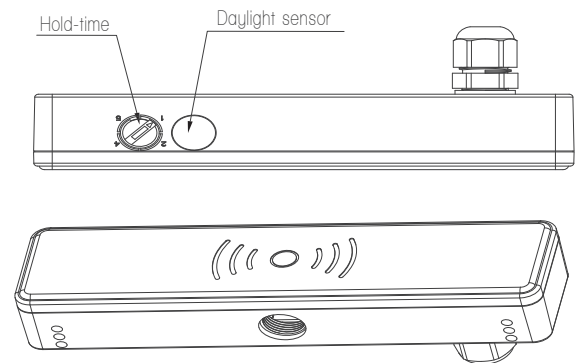
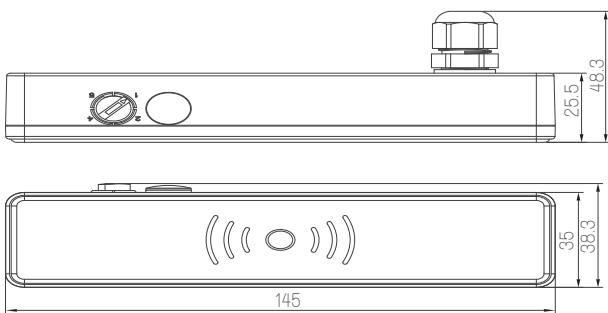


IP65 On/off Detector Linear Version for Flood Light



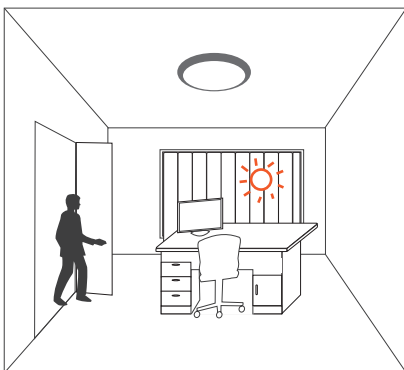
Model: UC15



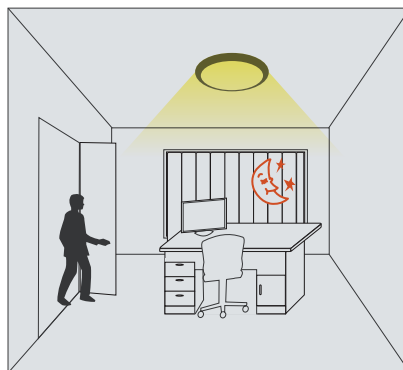
Product Feature

On/off function

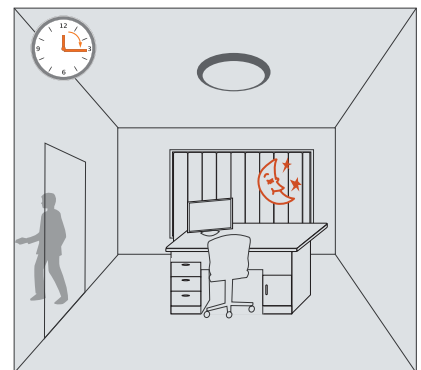
The motion detector can turn on the light based on movement. With this detector built in, light is automatically on when needed and off when not needed.



The light keeps off during daytime even when movement is detected. (Ambient lux level is above preset daylight threshold)

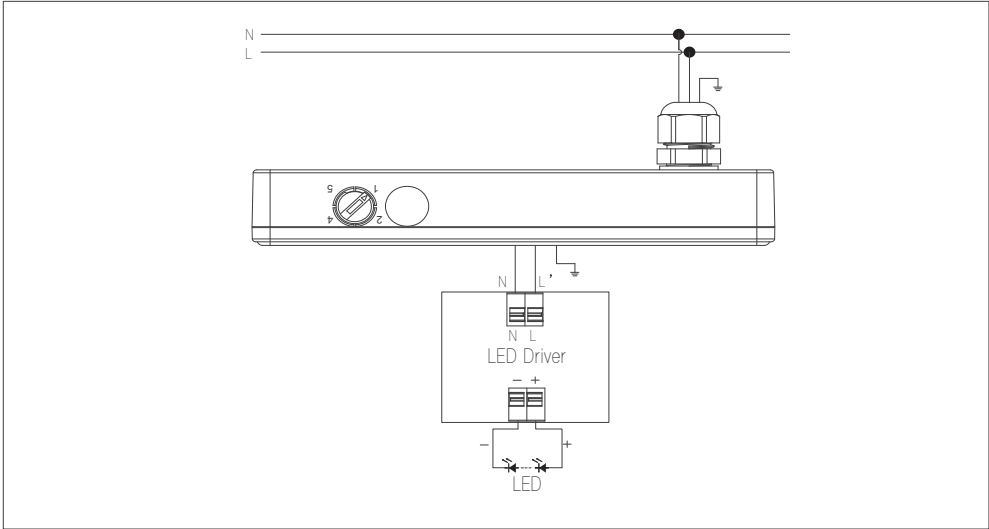


With movement and insufficient ambient lux level, the light is triggered on by the detector.

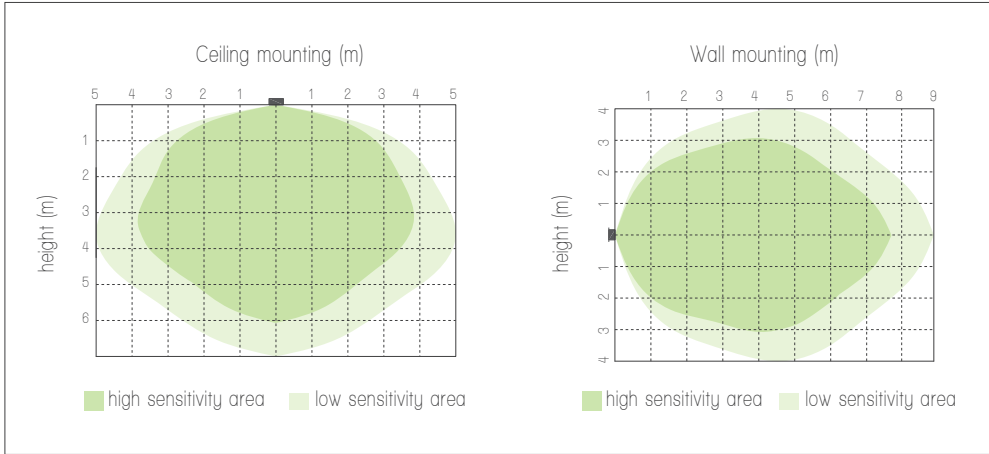


If there is no more movement, the light turns off automatically after hold-time preset.

Wiring



Detection pattern



Assembly



Settings

Hold-time refers to the time period that the light remains 100% on if no more movement is detected. Setting rotary coding switch to select hold time.

1	2	3	4	5
5s	90s	5min	20min	+∞

Specification

Operating voltage	220 ~ 240 VAC 50/60Hz
Rated load	200W (Capacitive load) 400W (Resistive load)
Stand-by power	<0.5W
Sensitivity	100%
Hold-time	5s / 90s / 5min / 30min / +∞
Daylight sensor	150Lux
Microwave frequency	5.8 GHz +/- 75MHz
Transmitting power	<0.2mW
Detection range	Max (diameter x height): 12m x 6m
Detection angle	30° ~ 150°
Working temperature	-20°C ~ +60°C
IP rating	IP65