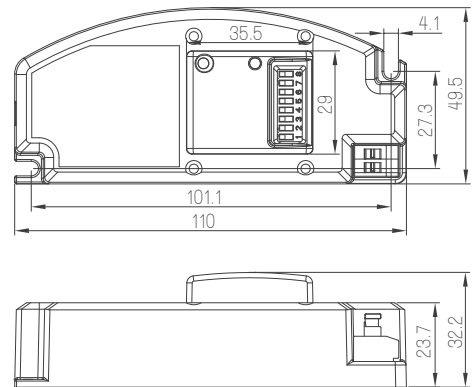
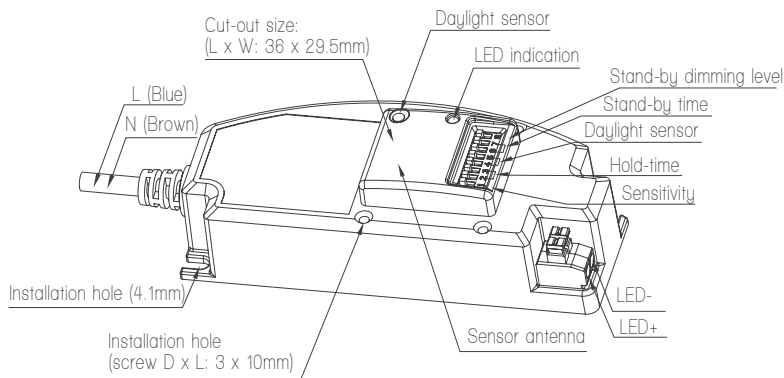


HF Detector & LED Driver 2-in-1 Dimmable Version

Model: UD05 (18W) UD07 (28W)

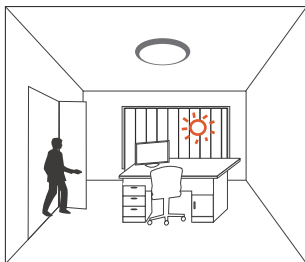


HF detector integrating with LED driver is now the trend. Make your luminaires simple but intelligent now!

Product Feature

Step-dim function

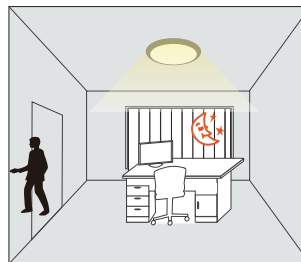
This combo product can turn on the light based on movement. With this detector built in, light is automatically on when needed and dimmed to preset level before it is totally off.



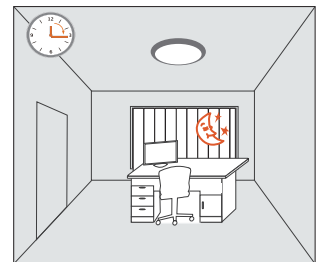
The light keeps off during daytime even when movement is detected. (Ambient lux level is above preset daylight threshold)



With movement and insufficient ambient lux level, the light is triggered on 100% by the detector.

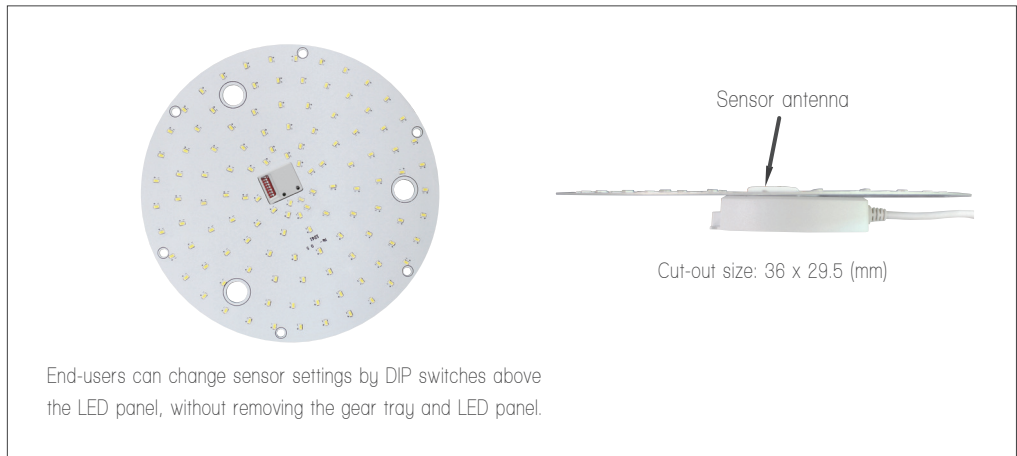


If there is no more movement, the light dims to stand-by dimming level after hold-time.

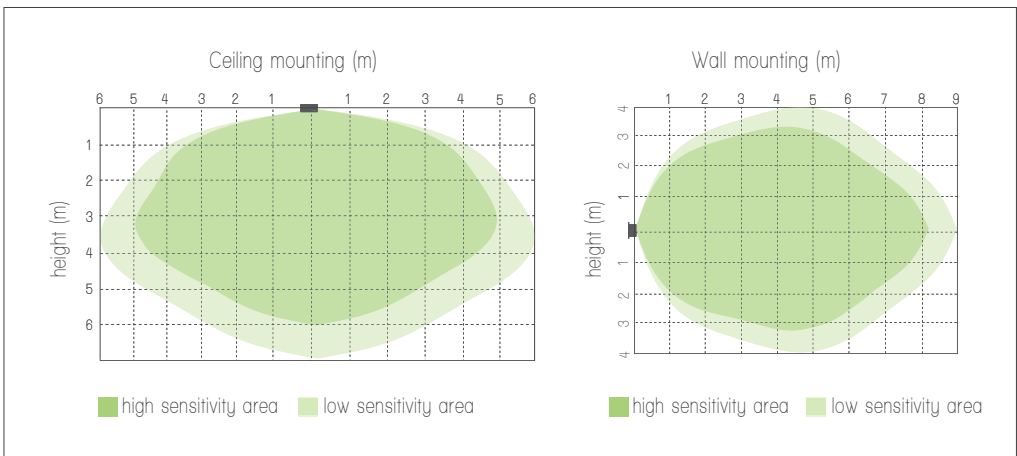


The light turns off automatically after stand-by time.

Assembly



Detection pattern



Settings

1. Sensitivity

Sensitivity can be adjusted by selecting the combination on the DIP switches for different applications.

- I - 100%
- II - 50%

	1	
I	●	100%
II	○	50%

2. Hold-time

Hold-time refers to the time period that the light remains 100% on if no more movement is detected.

- I - 5s
- II - 30s
- III - 3min
- IV - 10min

	2	3	
I	●	●	5s
II	●	○	30s
III	○	●	3min
IV	○	○	10min

3. Daylight threshold

Different daylight threshold can be preset on DIP switches. Light will always turn on upon movement if daylight sensor is disabled.

- I - Disable
- II - 50Lux
- III - 10Lux
- IV - 2Lux

	4	5	
I	●	●	Disable
II	●	○	50Lux
III	○	●	10Lux
IV	○	○	2Lux

4. Stand-by time

This is the time period that the light remains at a low level before it is completely turned off.

- I - 0s
- II - 30s
- III - 10min
- IV - +∞

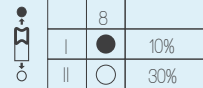
	6	7	
I	●	●	0s
II	●	○	30s
III	○	●	10min
IV	○	○	+∞

5. Stand-by dimming level

Light can be dimmed to different levels after hold-time.

I – 10%

II – 30%



	8	
I	●	10%
II	○	30%

Specification

Operating voltage	120 ~ 277VAC 50/60Hz
Input current	UD05: 0.2 ~ 0.08A UD07: 0.26 ~ 0.14A
Input power	UD05: 20W (Max.) UD07: 33W (Max.)
Sensitivity	50% / 100%
Hold-time	5s / 30s / 3min / 10min
Daylight threshold	2lux / 10Lux / 50Lux / disable
Stand-by period	0s / 30s / 10min / +∞
Stand-by dimming level	10% / 30%
Microwave frequency	5.8GHz +/- 75MHz
Microwave power	<0.2mW
Output current	UD05: 500mA UD07: 700mA
Output voltage	UD05: 23 ~ 36VDC UD07: 23 ~ 40VDC / 23 ~ 36 VAC
Output LED power	UD05: 11.5 ~ 18W (Max.) UD07: 16 ~ 28W (Max.)
Empty load voltage	UD05: 50V UD07: 56V
Power factor	>0.9
Power efficiency	85% (Max.)
Detection range	Max. (φ x H): 12m x 6m
Detection angle	30° ~ 150°
Operating temperature	-20°C ~ +50°C TC: 75°C
Abnormal protection	Output short-circuit protection with auto-reset
EMC standard	EN55015 EN61547
Safety standard	EN61347-1 EN61347-2-13
IP rating	IP20
Certificate	ETL, FCC