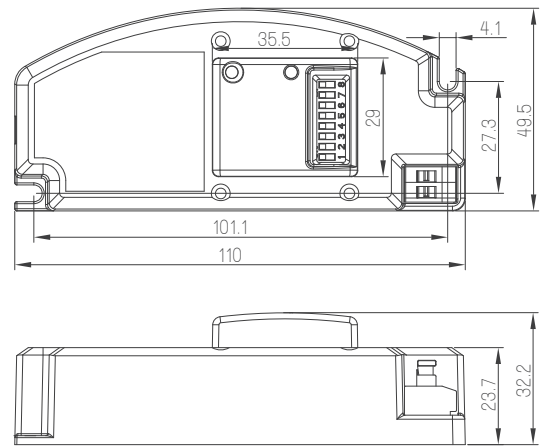
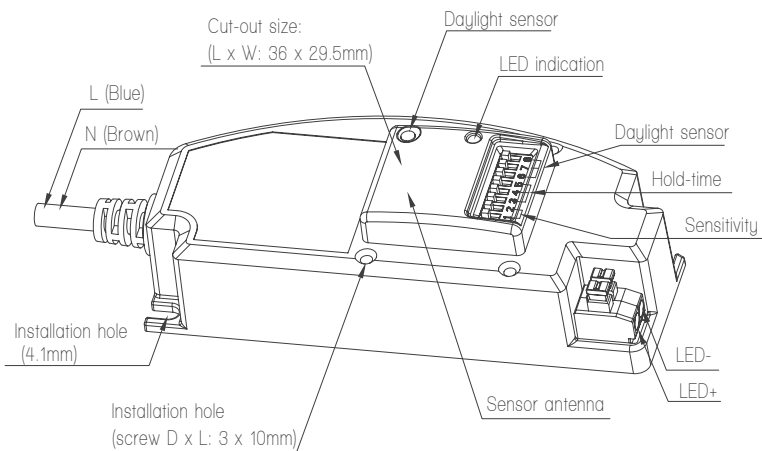


# HF Detector & LED Driver 2-in-1 On/off Version



Model: UC06 (18W)

UC08 (28W)

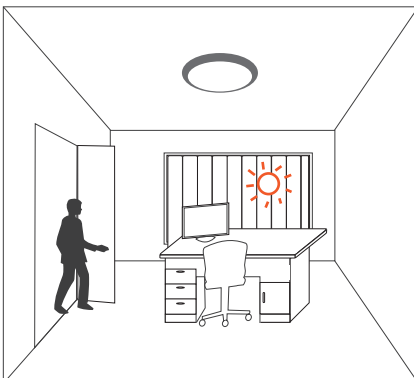


HF detector integrating with LED driver is now the trend. Make your luminaires simple but intelligent now!

## Product Feature

### On/off function

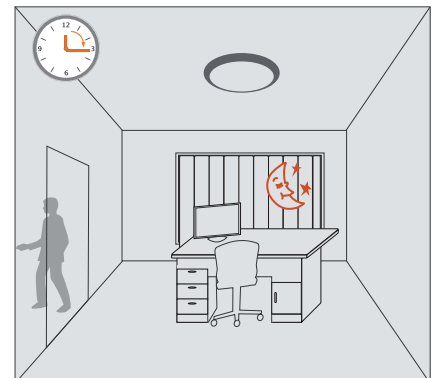
This combo product can turn on the light based on movement. With this detector built in, light is automatically on when needed and off when not needed.



The light keeps off during daytime even when movement is detected. (Ambient lux level is above preset daylight threshold)

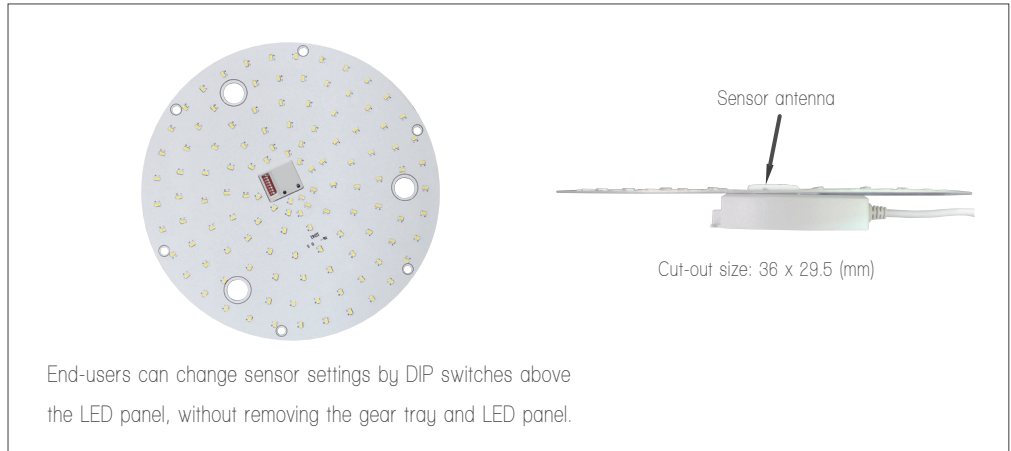


With movement and insufficient ambient lux level, the light is triggered on by the detector.

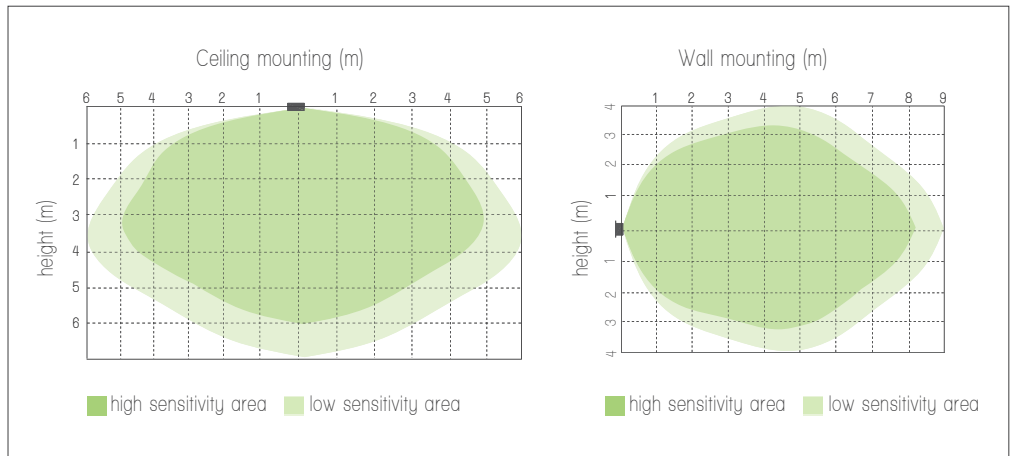


If there is no more movement, the light turns off automatically after hold-time preset.

Assembly



Detection pattern



Settings

1. Sensitivity

Sensitivity can be adjusted by selecting the combination on the DIP switches for different applications.

- I - 100%
- II - 50%
- III - 10%
- IV - Sensor OFF

	1	2	
I	●	●	100%
II	●	○	50%
III	○	●	10%
IV	○	○	Sensor OFF

2. Hold-time

Hold-time refers to the time period that the light remains 100% on if no more movement is detected.

- I - 5s
- II - 30s
- III - 1min
- IV - 5min
- V - 10min
- VI - 20min
- VIII - 30min

	3	4	5	
I	●	●	●	5s
II	●	○	●	30s
III	●	○	○	1min
IV	○	○	●	5min
V	○	○	●	10min
VI	○	○	●	20min
VIII	○	○	○	30min

3. Daylight threshold

Different daylight threshold can be preset on DIP switches. Light will always turn on upon movement if daylight sensor is disabled.

- I - Disable
- II - 50Lux
- III - 20Lux
- IV - 10Lux
- V - 2Lux

	6	7	8	
I	●	●	●	Disable
II	○	○	●	50Lux
III	○	●	○	20Lux
IV	○	○	●	10Lux
V	○	○	○	2Lux

Specification

Operating voltage	220 ~ 240VAC 50/60Hz
Input current	UC06: 0.09 ~ 0.08A UC08: 0.15 ~0.14A
Input power	UC06: 20W (Max.) UC08: 32.5W (Max.)
Sensitivity	Sensor OFF /10% /50% /100%
Hold-time	5s / 30s / 1min / 5min / 10min / 20min / 30min
Daylight threshold	2lux / 10Lux / 20Lux / 50Lux / disable
Microwave frequency	5.8GHz +/- 75MHz
Microwave power	<0.2mW
Output current	UC06: 500mA UC08: 700mA
Output voltage	UC06: 23 ~ 36VDC UC08: 23 ~ 40VDC
Output LED power	UC06: 11.5 ~ 18W (Max.) UC08: 16 ~ 28W (Max.)
Empty load voltage	UC06: 50V UC08: 56V
Power factor	>0.9
Power efficiency	85% (Max.)
Detection range	Max. (φ x H): 12m x 6m
Detection angle	30° ~ 150°
Operating temperature	-20°C ~ +50°C TC: 75°C
Abnormal protection	Output short-circuit protection with auto-reset
EMC standard	EN55015 EN61547
Safety standard	EN61347-1 EN61347-2-13
IP rating	IP20
Certificate	Semko, CB, CE, RCM