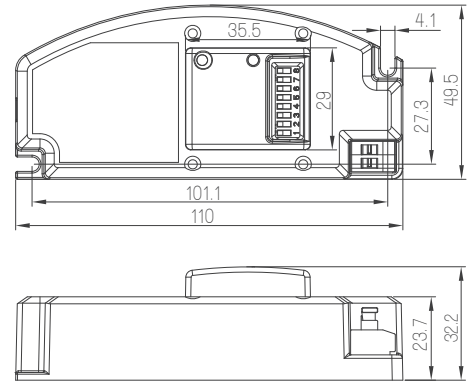
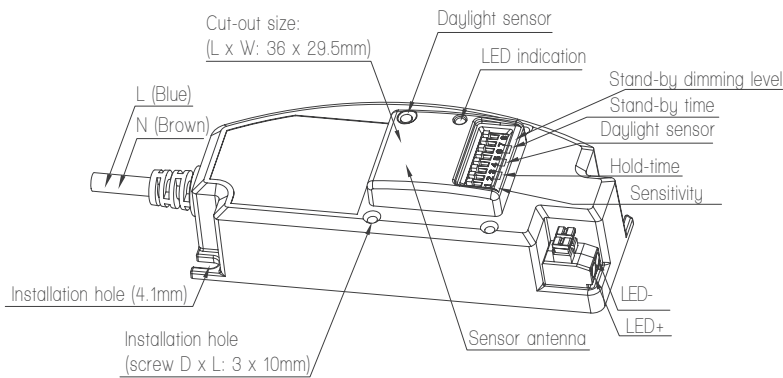


HF Detector & LED Driver 2-in-1 Dimmable Version

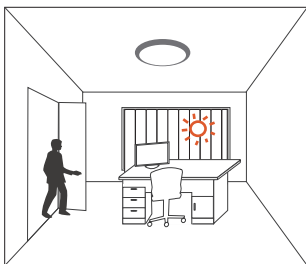


Model: UC05 (18W) UC07 (28W)

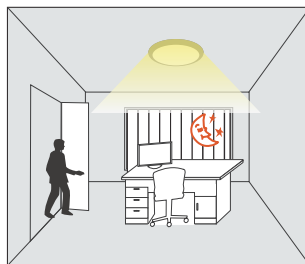


HF detector integrating with LED driver is now the trend. Make your luminaires simple but intelligent now!

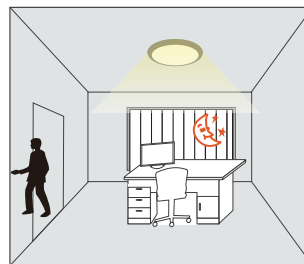
Product Feature	<p>Step-dim function</p> <p>This combo product can turn on the light based on movement. With this detector built in, light is automatically on when needed and dimmed to preset level before it is totally off.</p>
------------------------	--



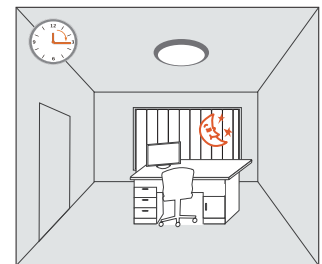
The light keeps off during daytime even when movement is detected. (Ambient lux level is above preset daylight threshold)



With movement and insufficient ambient lux level, the light is triggered on 100% by the detector.

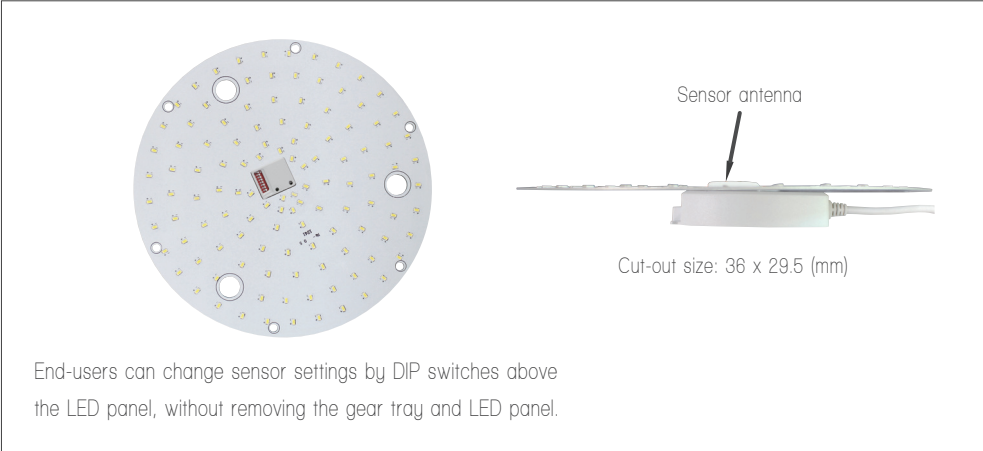


If there is no more movement, the light dims to stand-by dimming level after hold-time.

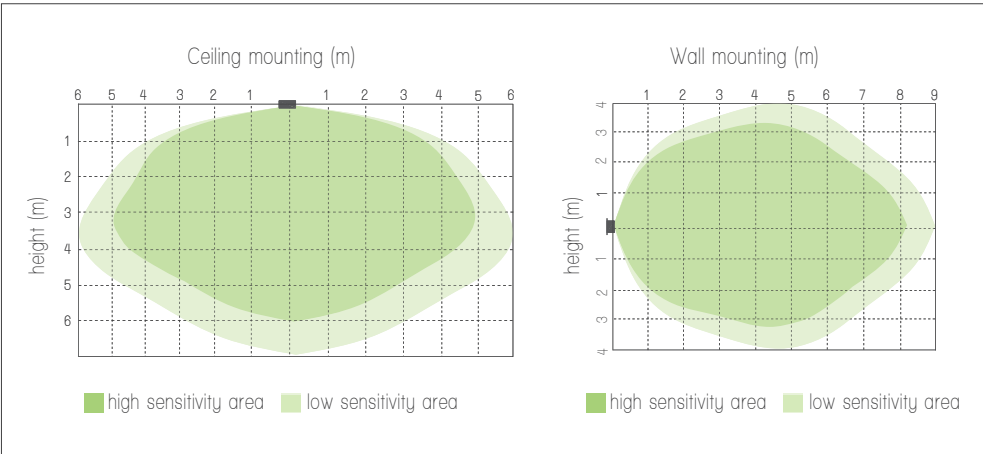


The light turns off automatically after stand-by time.

Assembly



Detection pattern



Settings

1. Sensitivity

Sensitivity can be adjusted by selecting the combination on the DIP switches for different applications.

- I - 100%
- II - 50%

●	1	
●	●	100%
○	○	50%

2. Hold-time

Hold-time refers to the time period that the light remains 100% on if no more movement is detected.

- I - 5s
- II - 30s
- III - 3min
- IV - 10min

●	●	5s
●	○	30s
○	●	3min
○	○	10min

3. Daylight threshold

Different daylight threshold can be preset on DIP switches. Light will always turn on upon movement if daylight sensor is disabled.

- I - Disable
- II - 50Lux
- III - 10Lux
- IV - 2Lux

●	●	Disable
●	○	50Lux
○	●	10Lux
○	○	2Lux

4. Stand-by time

This is the time period that the light remains at a low level before it is completely turned off.

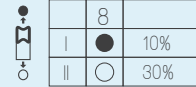
- I - 0s
- II - 30s
- III - 10min
- IV - +∞

●	●	0s
●	○	30s
○	●	10min
○	○	+∞

5. Stand-by dimming level

Light can be dimmed to different levels after hold-time.

- I - 10%
- II - 30%



Specification

Operating voltage	220 ~ 240VAC 50/60Hz
Input current	UC05: 0.09 ~ 0.08A UC07: 0.15 ~ 0.14A
Input power	UC05: 20W (Max.) UC07: 32.5W (Max.)
Sensitivity	50% /100%
Hold-time	5S / 30S / 3min / 10min
Daylight threshold	2lux / 10Lux / 50Lux / disable
Stand-by period	0s / 30S / 10min / +∞
Stand-by dimming level	10% /30%
Microwave frequency	5.8GHz +/- 75MHz
Microwave power	<0.2mW
Output current	UC05: 500mA UC07: 700mA
Output voltage	UC05: 23 ~ 36VDC UC07: 23 ~ 40VDC
Output LED power	UC05: 11.5 ~ 18W (Max.) UC07: 16 ~ 28W (Max.)
Empty load voltage	UC05: 50V UC07: 56V
Power factor	>0.9
Power efficiency	85% (Max.)
Detection range	Max. (φ x H): 12m x 6m
Detection angle	30° ~ 150°
Operating temperature	-20°C ~ +50°C TC: 75°C
Abnormal protection	Output short-circuit protection with auto-reset
EMC standard	EN55015 EN61547
Safety standard	EN61347-1 EN61347-2-13
IP rating	IP20
Certificate	Semko, CB, CE, RCM