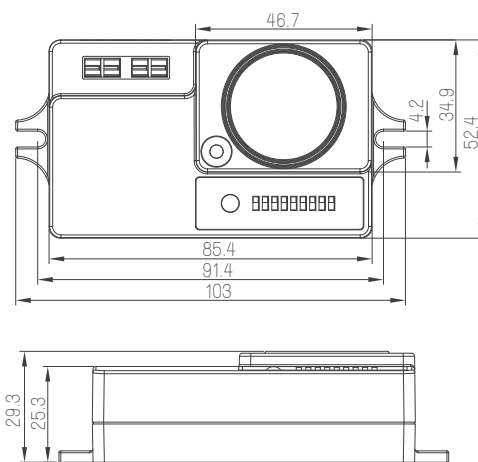
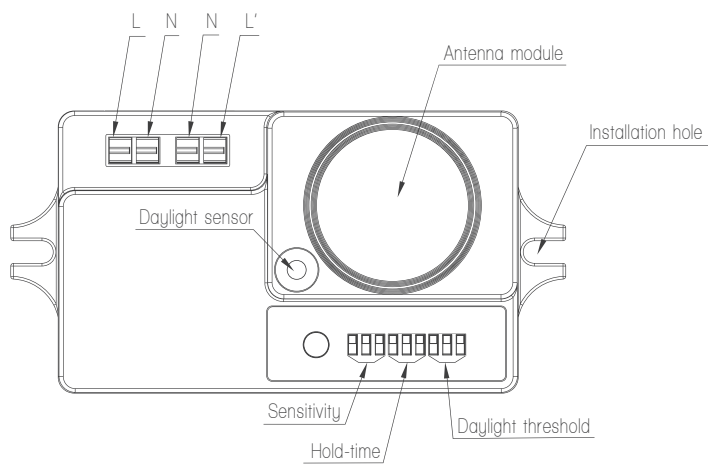


# High Bay Detector On/off Version

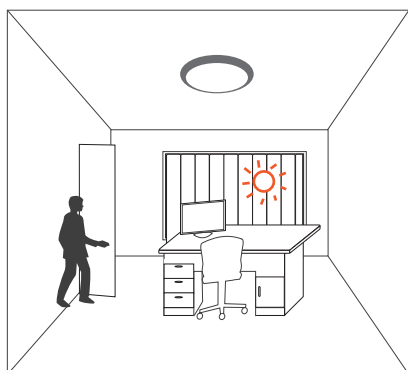
Model: UM04 & HRC03



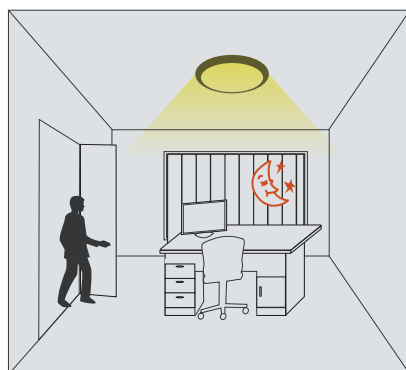
## Product Feature

### On/off function

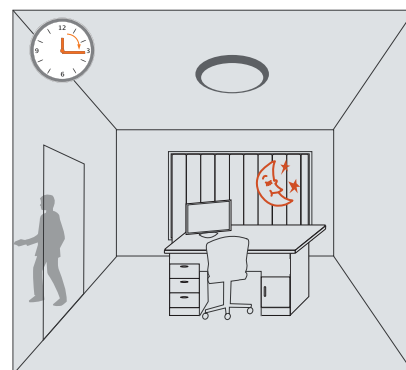
The motion detector can turn on the light based on movement. With this detector built in, light is automatically on when needed and off when not needed.



The light keeps off during daytime even when movement is detected. (Ambient lux level is above preset daylight threshold)



With movement and insufficient ambient lux level, the light is triggered on by the detector.



If there is no more movement, the light turns off automatically after hold-time preset.

**Function**

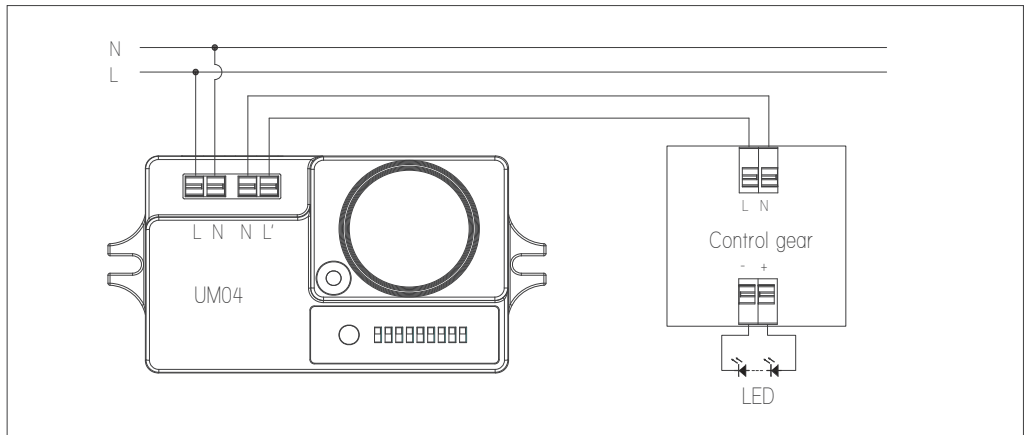
**Zero-cross relay operation**

To protect the relay against the inrush current, control software switches AC load right at the zero-cross points when minimal current flows across the relay.

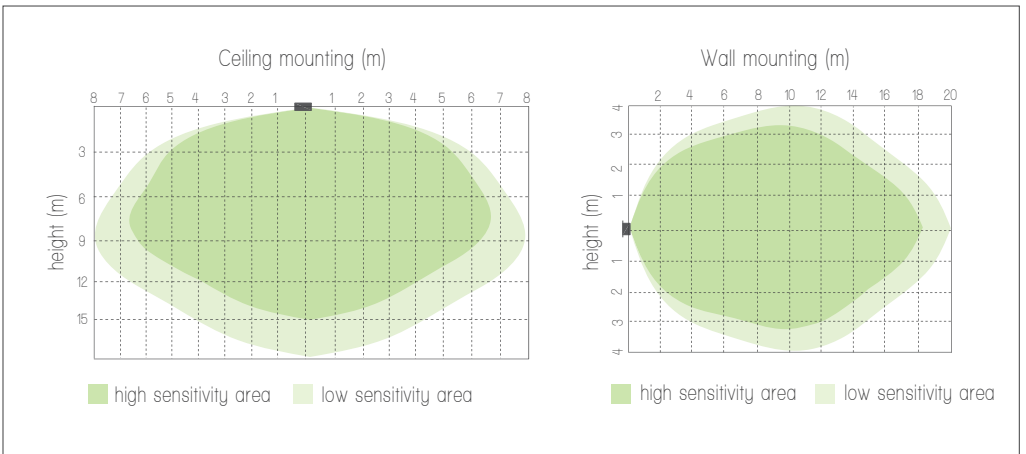
**Wire loop-in and loop-out**

The detector is thoughtfully designed with fast connects for power in and power out to load. Easy to assemble.

**Wiring**



**Detection pattern**



**Remote controller HRC-03**

**ON/OFF Permanent ON/OFF function**

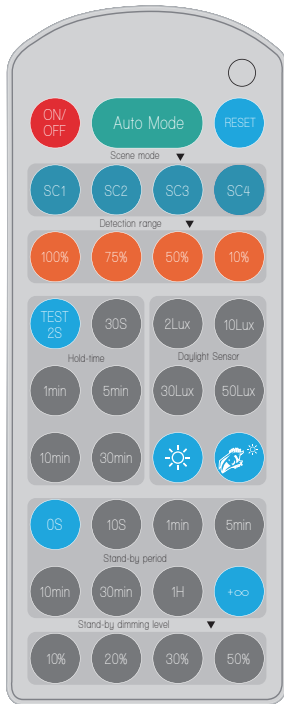
Press the "ON/OFF" button, the light goes to permanent on or permanent off mode.  
 \* Press "Auto Mode", "RESET" or "Scene mode" buttons to quit from this mode.

**Auto Mode Sensor mode**

Press "Auto Mode" button, the sensor starts to work and all settings remain the same as the last status before the light was switched on/off.

**RESET Reset function**

Press "RESET" button, all settings go back to the value of DIP setting.



HRC-03

**TEST 2S** Test mode

The button "Test 2s" is for testing purpose only. The sensor goes to test mode (hold-time is 2sec) automatically after commissioning, meanwhile the stand-by period and daylight sensor are disabled.  
 \* This mode can be ended by pressing "reset", or any button of "scene mode" and "hold time". The sensor setting is changed accordingly.

**Daylight sensor disable**

Press this button, the built-in daylight sensor stops working, and all motion detected could turn on the lighting fixture, no matter how bright the natural light is.

**Scene mode**

There are 4 scene modes fixed program built in the remote control for different applications:

Scene options	Detection range	Hold-time	Daylight sensor
SC1	100%	1min	2Lux
SC2	50%	5min	10Lux
SC3	100%	10min	10Lux
SC4	100%	30min	50Lux

Note: End-user can adjust the settings by pressing buttons of detection range/hold-time/daylight sensor. The last setting stays in validity.

**Detection range**

Press the buttons of "detection range" to set detection range at 100% / 75% / 50% / 10%.

**Hold-time**

Press the buttons of "hold-time" to set hold-time at 30s / 1min / 5min / 10min / 30min .

**Daylight sensor**

Press the buttons of "daylight sensor" to set daylight threshold at 2Lux / 10Lux / 30Lux / 50Lux.

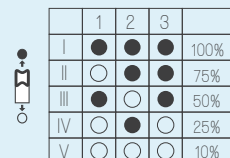
Note: buttons of "stand-by period" and "stand-by dimming level" are disabled.

**Settings**

**1. Sensitivity**

Sensitivity can be adjusted by selecting the combination on the DIP switches for different applications.

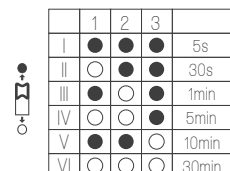
- I - 100%
- II - 75%
- III - 50%
- IV - 25%
- V - 10%



**2. Hold-time**

Hold-time refers to the time period that the light remains 100% on if no more movement is detected.


- I - 5s
- II - 30s
- III - 1min
- IV - 5min
- V - 10min
- VI - 30min



### 3. Daylight threshold

Different daylight threshold can be preset on DIP switches. Light will always turn on upon movement if daylight sensor is disabled.

- I – Disable
- II – 50Lux
- III – 30Lux
- IV – 10Lux
- V – 2Lux



	1	2	3	
I	●	●	●	Disable
II	○	●	●	50Lux
III	●	○	●	30Lux
IV	●	●	○	10Lux
V	○	○	○	2Lux

### Specification

Operating voltage	120 ~ 277VAC 50/60Hz
Rated load	400W @ 120VAC, 800W @ 240VAC, 1000W @ 277VAC (capacitive load)
Stand-by power	< 0.5W
Sensitivity	10% / 25% / 50% / 75% / 100%
Hold-time	5s / 30S / 1min / 5min / 10min / 30min
Daylight sensor	2 ~ 50lux, disable
Microwave frequency	5.8 GHz +/- 75MHz
Transmitting power	<1mW
Detection range	Max (diameter x height): 16m x 15m
Detection angle	30° ~ 150°
Working temperature	-20°C ~ 60°C
IP rating	IP20
Certificate	UL ETL FCC