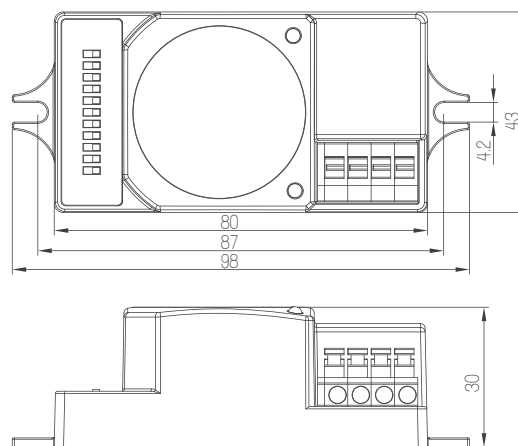
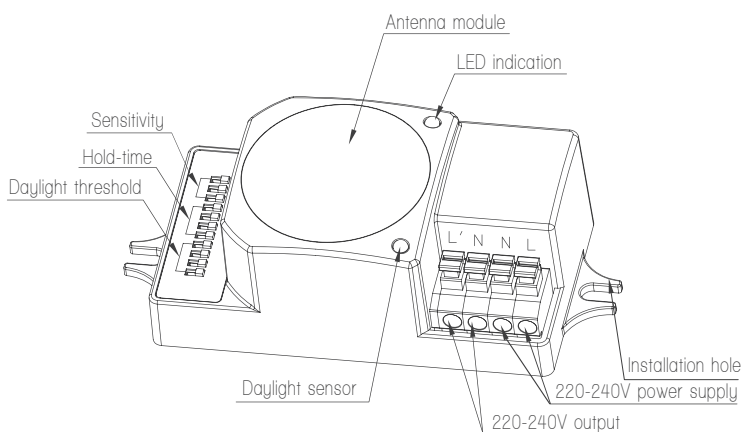


Economy Version On/off High Bay Detector

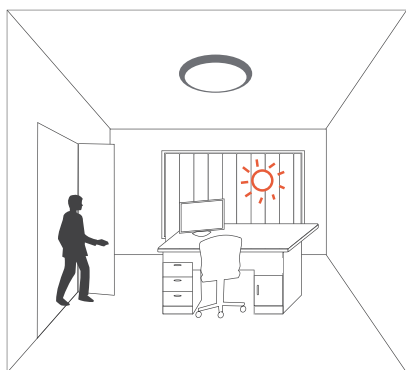
Model: HC009S /UR



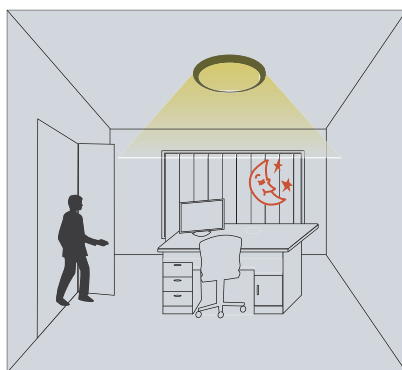
Product Feature

On/off function

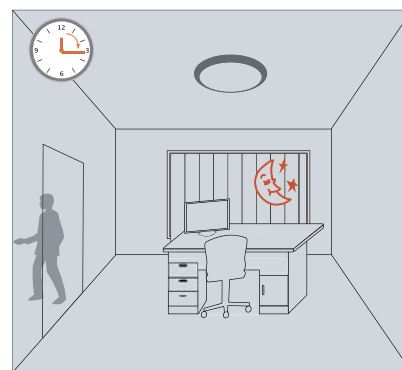
The motion detector can turn on the light based on movement. With this detector built in, light is automatically on when needed and off when not needed.



The light keeps off during daytime even when movement is detected. (Ambient lux level is above preset daylight threshold)

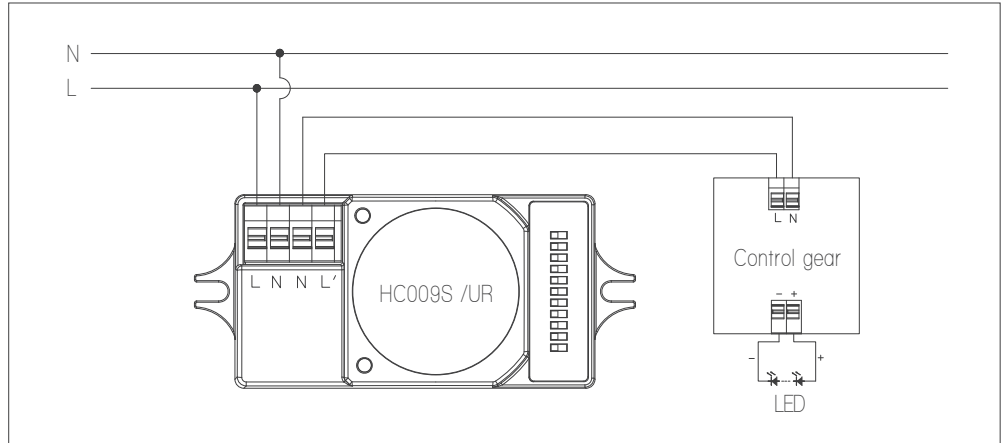


With movement and insufficient ambient lux level, the light is triggered on by the detector.

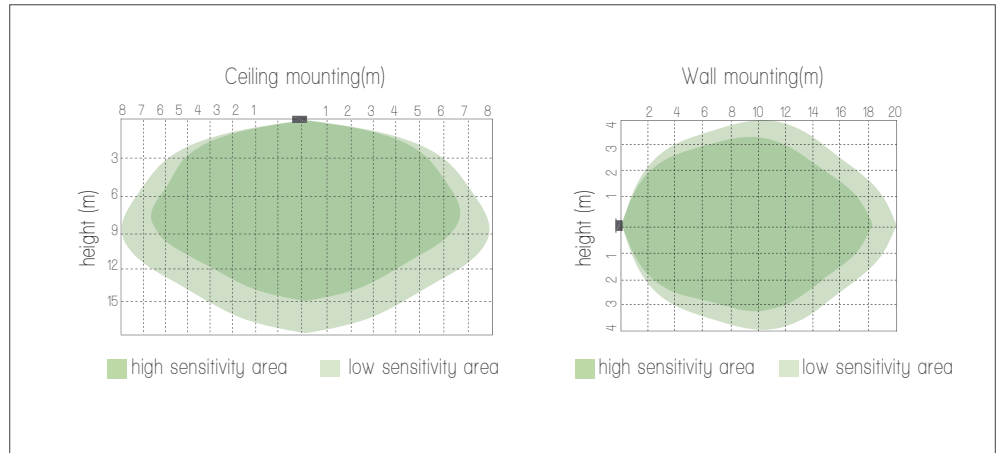


If there is no more movement, the light turns off automatically after hold-time preset.

Wiring



Detection pattern



Settings

1. Sensitivity

Sensitivity can be adjusted by selecting the combination on the DIP switches for different applications.

- I – 100%
- II – 75%
- III – 50%
- IV – 25%
- V – 10%

	1	2	3	
I	●	●	●	100%
II	○	●	●	75%
III	●	○	●	50%
IV	●	●	○	25%
V	○	○	○	10%

2. Hold-time

Hold-time refers to the time period that the light remains 100% on if no more movement is detected.

- I – 5s
- II – 30s
- III – 1min
- IV – 5min
- V – 15min
- VI – 30min

	1	2	3	4	
I	●	●	●	●	5s
II	○	●	●	●	30s
III	●	○	●	●	1min
IV	●	●	○	●	5min
V	●	●	●	○	15min
VI	○	○	○	○	30min

3. Daylight threshold

Different daylight threshold can be preset on DIP switches. Light will always turn on upon movement if daylight sensor is disabled.

- I – 2 Lux
- II – 5 Lux
- III – 10 Lux
- IV – 30 Lux
- V – 50 Lux
- VI – Disabled

	1	2	3	4	
I	●	●	●	●	2Lux
II	○	●	●	●	5Lux
III	●	○	●	●	10Lux
IV	●	●	○	●	30Lux
V	●	●	●	○	50Lux
VI	○	○	○	○	Disable

Specification

Operating voltage	220 ~ 240 VAC
Rated load	400W (Capacitive load) 800W (Resistive load)
Stand-by power	< 0.5W
Warm up time	20s
Sensitivity	10% / 25% / 50% / 75% / 100%, can be customized
Hold-time	5S / 30S / 1min / 5min / 15min / 30min, can be customized
Daylight sensor	2lux ~50lux disable, can be customized
Microwave frequency	5.8 GHz +/- 75MHz
Transmitting power	< 1mW
Detection range	Max (diameter x height): 12m x 15m
Detection angle	30° ~ 150°
Working temperature	-35°C ~ +70°C
IP rating	IP20
Certificate	Semko, CB, CE, RCM, RED